

# Ty-Rap®

**T&B Catalog Number:** ERG50  
**UPC Number:** 78620986729  
**Description:** CABLE TIE INSTALLATION 18-50LB

**Status:** Active

## Packaging

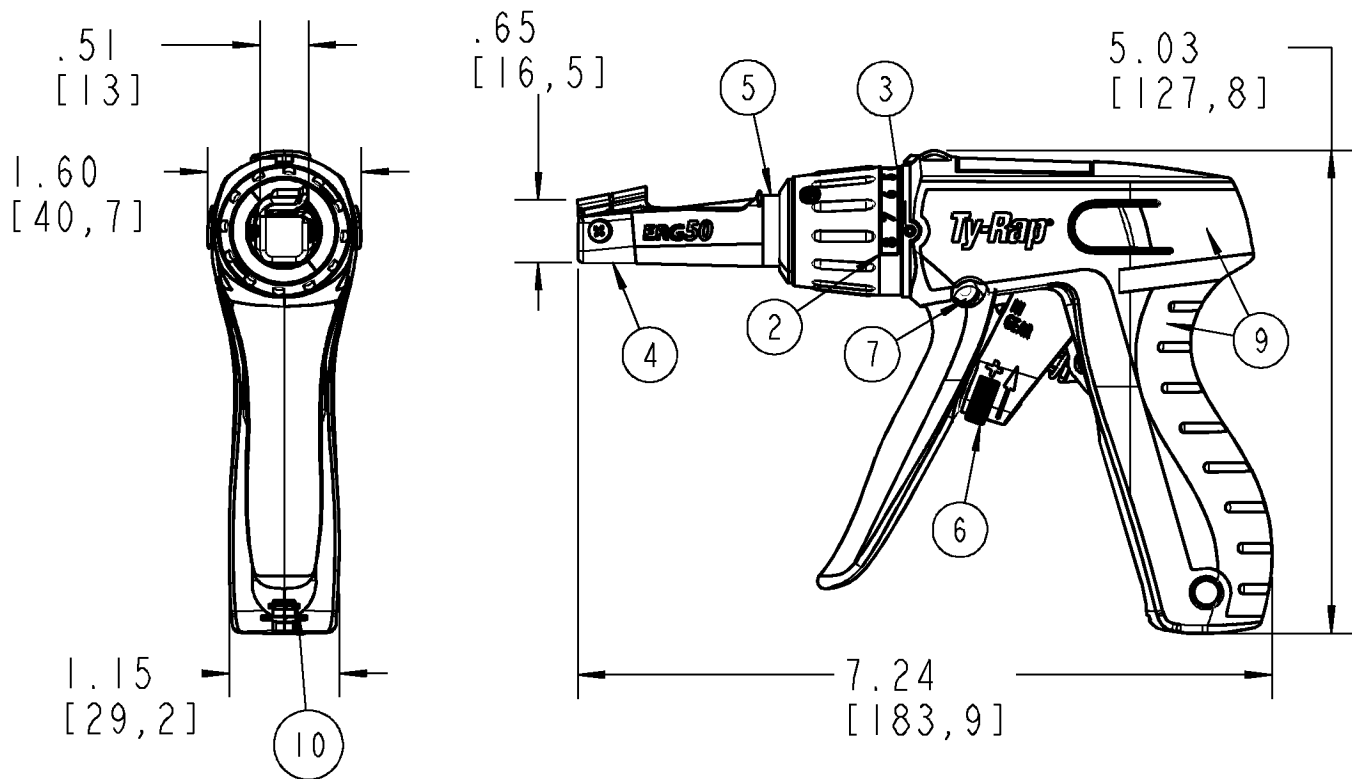
T&B Sold in UM:	EACH
T&B Weight per UOM:	87.5 lbs. per 100

## General Information

Country of Origin:	SWEDEN
Harmonized Code:	8205598000

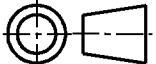

## Application Support

Sales Drawings:	wsd-000333
-----------------	------------



**SPECIFICATIONS - ERG50**

1. INSTALLS 18-50 LB (80-222 N) CABLE TIES
2. ADJUSTABLE TENSION SETTINGS 1-8
3. INTEGRATED TENSION LOCKING SCREW
4. 360° ROTATING NOSE
5. ANTI-RECOIL MECHANISM
6. ADJUSTABLE GRIP SPAN
7. SELECTABLE MODE HIGH-LOW HANDLE FORCE
8. 1" [25.4mm] STROKE IN HIGH, 0.5" [12.7mm] STROKE IN LOW
9. HIGH IMPACT POLYMER CONSTRUCTION WITH SOFT OVERMOLDED GRIP
10. SPARE BLADE STORAGE - SPARE BLADE PART# - CDS010461

<b>GENERAL NOTES</b>		THIRD ANGLE PROJECTION					
1. ALL DIMENSIONS ARE FOR REFERENCE ONLY. 2. DIMENSIONS IN BRACKETS [ ] ARE IN METRIC UNITS.							
<b>REVISIONS</b>		DESCRIPTION:		<b>ERG50 Ty-RAP INSTALLATION TOOL</b>			
- SEE ERN ( **** ) FOR APPROVAL SIGNATURES & RELEASE DATE. PROJECT NO: ****		ORIGINAL PROJECT NO / ( ERN NO )	SHEET NO:	REV. NO:	DRAWING NO:		
		FD55446 / ( 2008035 )	1 OF 1	-	WSD000333		

The most comfortable and efficient hand tool available for installing cable ties!

## Ty-Rap® Cable Tie Installation Tool

Thomas & Betts set out to develop a high performance and very reliable hand-operated cable tie installation tool. It's ergonomic with more features than any competing tool on the market. This new and improved Ty-Rap® Cable Tie Installation Tool is the result, and it fits the bill in every aspect.

Our engineers carefully considered user comfort and designed this rugged yet lightweight, well-balanced tool to reduce stress, fatigue and the risk of carpal tunnel syndrome and other cumulative trauma disorders to the hand and wrist. They didn't stop with ergonomics, however. This new tool offers a flush cable tie tail-to-head trim, a longer handle stroke requiring less handle force, higher tension capabilities and much, much more!



### Designed for Efficiency

- Wide cable-tie insertion gap makes it easier to insert tie into tool
- Tension adjustment wheel on nose offers easy access and quick setting — about five times faster than competing tools!
- Tension-locking mechanism maintains constant tension setting, even when tool is frequently put down and picked up again
- Flush tail-to-head cut-off eliminates sharp cable tie ends that can cut or scratch installers, wires and nearby devices
- Longest stroke length available on the market — a full 1" — means fewer handle-tensioning cycles to save time and lower installation costs

### Designed for Comfort

- 360° rotating nose offers maximum flexibility in any position, especially in tight spaces — no twisting of tool required!
- Adjustable grip span adapts to fit large or small hands
- Anti-recoil cut-off mechanism reduces shock and vibration to hand and wrist
- High-low handle travel feature offers lowest handle force with highest tension in any hand-operated cable tie installation tool on the market
- Handles constructed from rugged, lightweight, high-impact polymer in a balanced design with soft, over-molded, round-edged grips for added user comfort



### ..... Specifications .....

- Dimensions: 7" (177mm) L x 5" (127mm) H x 1 1/4" (41.3mm) W
- Weight: 9 oz. (255g)

STD PKG. CAT. NO.	DESCRIPTION	STD. PKG. QTY.
ERG50	Tool for 18–50 lb. (80–222 N.) Cable Ties	1
ERG120	Tool for 50–120 lb. (222–533 N.) Cable Ties	1